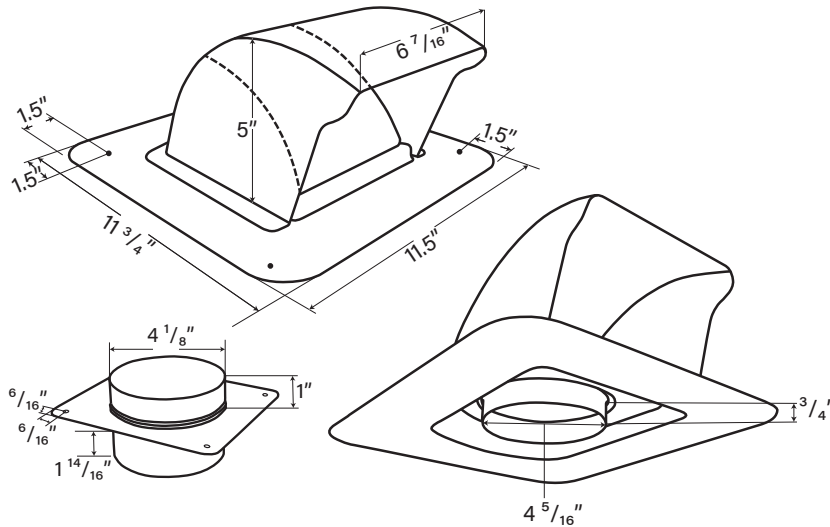


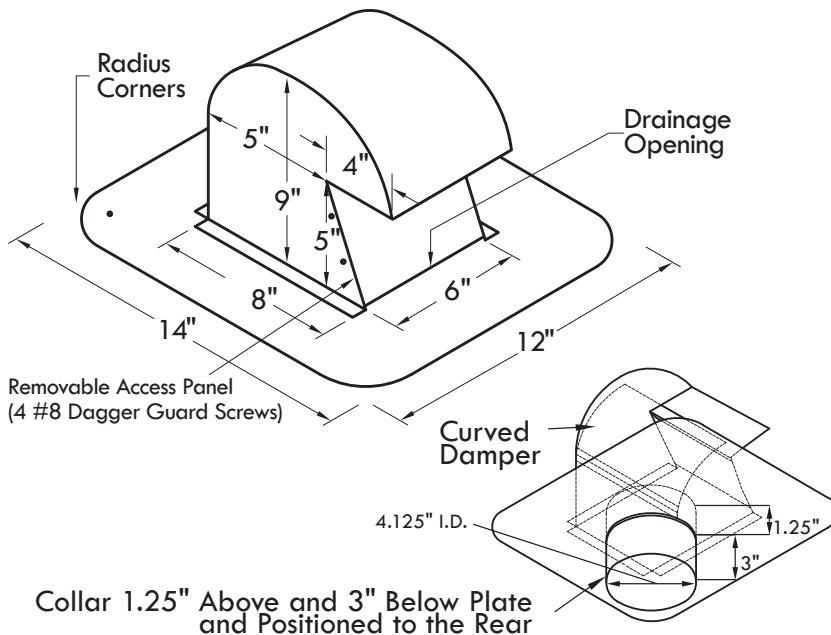
# DryerJack

## Technical Product Specifications

### DryerJack Model 477



### DryerJack Model 486



Model	Applications
DJK477	Low profile, efficient termination for safely venting the dryer through the roof.
DJK486	Extra clearance model for high profile tile or heavy snowfall zones.

#### Performance Data

##### For Use:

- Non-restrictive dryer roof vent termination
- Complies with IMC 504.4 & IRC 1502.3

##### Material:

- 26 gauge Galvalume®

##### Weight Each:

DJK477 / 3 lbs. — DJK486 4 lbs.

#### General Information

##### Benefits:

- Venting through the roof can shorten duct length
- Improved efficiency shortens cycles, saves energy
- Damper design deters bird and rodent entry
- Access features ease duct cleaning & maintenance

##### Features:

- Rugged heavy gauge Galvalume
- Rounded corner nailing flange and nail holes
- Equally suitable for new and retrofit construction

#### Manufactured By

**InOvate Technologies, Inc.**  
 250 S. Central Blvd. Suite 207  
 Jupiter, FL 33458  
 Telephone: 561-743-8696  
 Facsimile: 561-745-9723  
[www.DryerJack.com](http://www.DryerJack.com)



**Made in the USA**