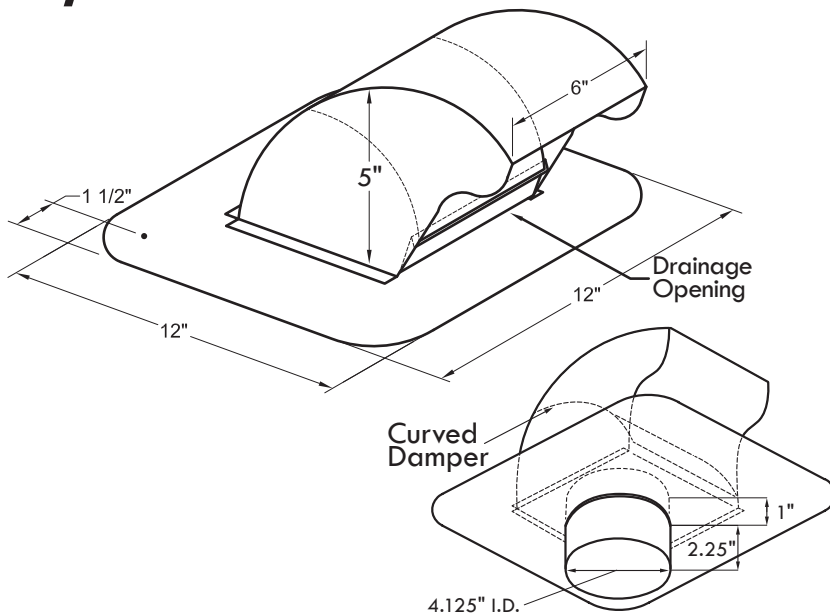


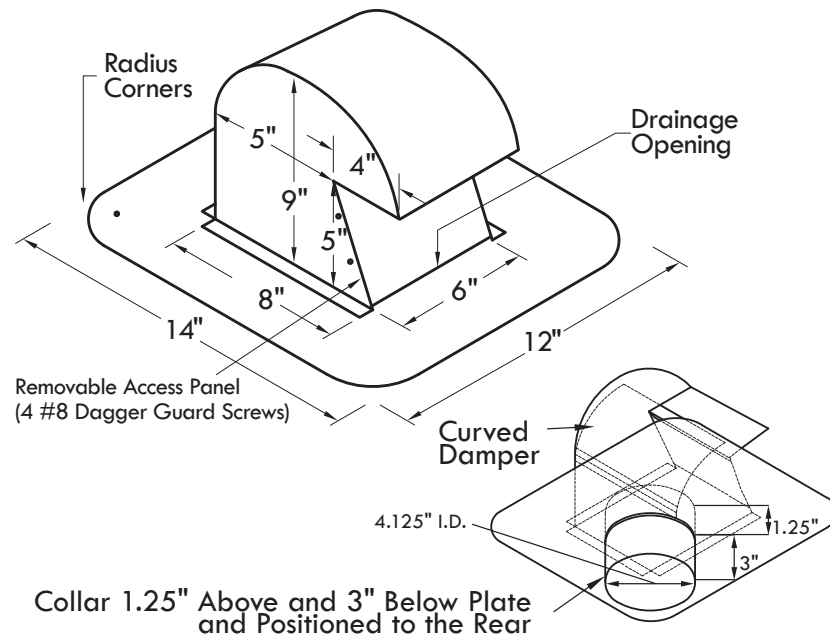
# DryerJack

## Technical Product Specifications

### DryerJack Model 466



### DryerJack Model 486



Model	Applications
DJK466	Low profile, efficient termination for safely venting the dryer through the roof.
DJK486	Extra clearance model for high profile tile or heavy snowfall zones.

#### Performance Data

- For Use:**
- Non-restrictive dryer roof vent termination
  - Complies with IMC 504.4 & IRC 1502.3

- Material:**
- 26 gauge Galvalume®
- Weight Each:**
- DJK466 / 3 lbs. — DJK486 4 lbs.

#### General Information

- Benefits:**
- Venting through the roof can shorten duct length
  - Improved efficiency shortens cycles, saves energy
  - Damper design deters bird and rodent entry
  - Access features ease duct cleaning & maintenance

- Features:**
- Rugged 26 gauge Galvalume
  - Rounded corner nailing flange and 6 nail holes
  - Equally suitable for new and retrofit construction
  - Watertight extended collar for secure docking

#### Manufactured By

**InOvate Technologies, Inc.**  
 250 S. Central Blvd. Suite 20  
 Jupiter, FL 33458  
 Telephone: 561-743-8696  
 Facsimile: 561-745-9723  
 www.DryerJack.com

 **Made in the USA**

### Airflow Restriction Comparison (Back Pressure Measured in Water Column Inches)

				
DryerJack Model 466 0.001	DryerJack Model 486 0.02	Low Profile Plastic .35	Low Profile Metal .30	Four Inch Gooseneck .45