



**Rugged, Safe and Efficient Roof Venting**

# Please Stock this New Roof Vent

**NEW**



The people who manufacture the Dryerbox<sup>®</sup> have introduced the DryerJack. It delivers better performance for venting dryers through the roof. I would like to include this product in future projects.

In-O-Vate explained that, when you carry it, I can save on shipping and get the convenience of being able to add it to my project order.

Thanks for considering this request.

Sincerely,

## Model Numbers DJK466

Low Profile Model

## DJK486

Extra Clearance Model



Made in the USA



Model  
DJK486

Model  
DJK466

**Contact Account Manager  
Frank Ambrose for the  
Most Efficient Channel Options**

Phone: 888-443-7937 • Fax: 800-308-9345

Email: [Frank@DryerJack.com](mailto:Frank@DryerJack.com)

**In-O-Vate**  
Technologies Inc

**888-443-7937**

810 Saturn Street • Suite 20 • Jupiter FL 33477 • Phone: 561-744-0473 • Fax: 561-745-9723

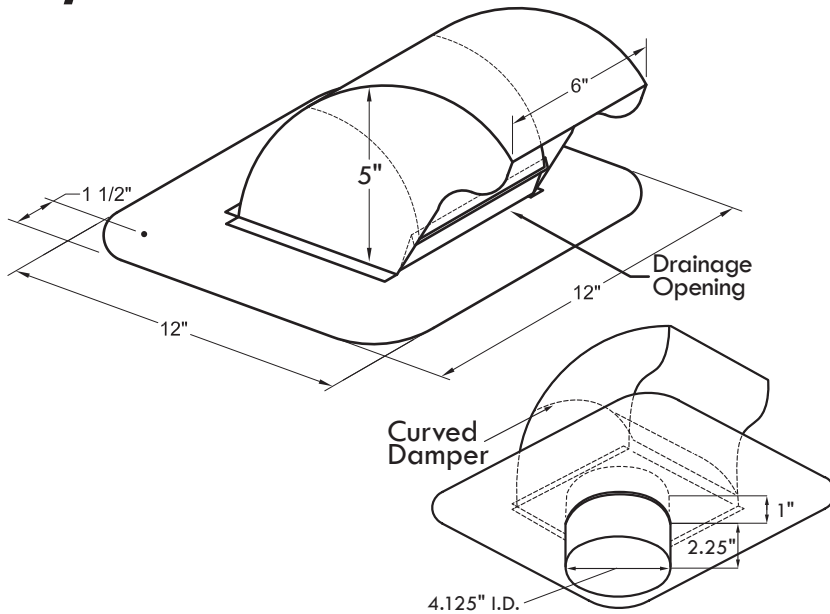
*The Dryerbox<sup>®</sup>  
People*

**www.DryerJack.com**

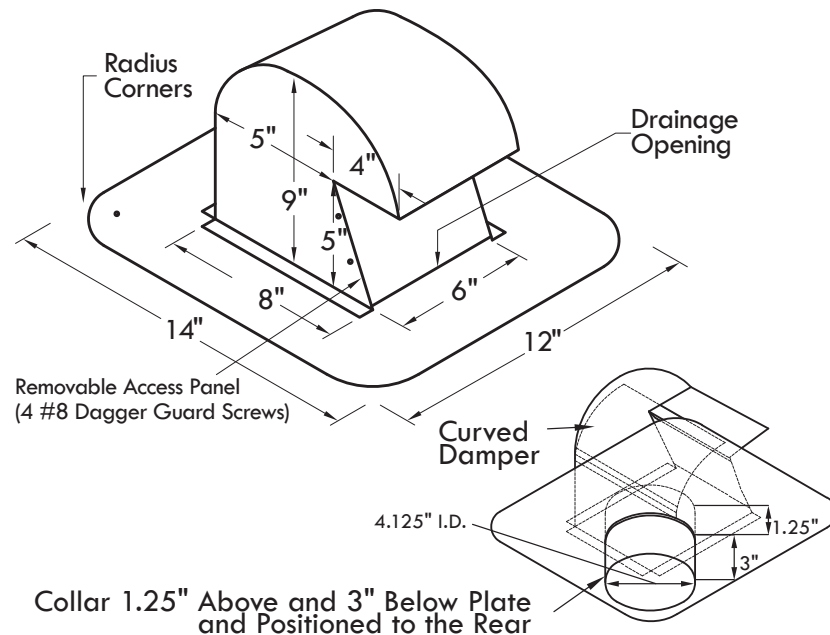
# DryerJack

## Technical Product Specifications

### DryerJack Model 466



### DryerJack Model 486



Model	Applications
DJK466	Low profile, efficient termination for safely venting the dryer through the roof.
DJK486	Extra clearance model for high profile tile or heavy snowfall zones.

#### Performance Data

- For Use:**
- Non-restrictive dryer roof vent termination
  - Complies with IMC 504.4 & IRC 1502.3

- Material:**
- 26 gauge Galvalume®

#### General Information

- Benefits:**
- Venting through the roof can shorten duct length
  - Zero back pressure lengthens appliance life
  - Improved efficiency shortens cycles, saves energy
  - Damper design deters bird and rodent entry
  - Access features ease duct cleaning & maintenance

- Features:**
- Rugged 26 gauge Galvalume
  - Rounded corner nailing flange and 6 nail holes
  - Equally suitable for new and retrofit construction
  - Watertight extended collar for secure docking

#### Manufactured By

**In-O-Vate Technologies, Inc.**  
 810 Saturn Street, Suite 20  
 Jupiter FL 33477  
 Telephone: 561-743-8696  
 Facsimile: 561-745-9723  
[www.DryerJack.com](http://www.DryerJack.com)

 **Made in the USA**

### Airflow Restriction Comparison (Back Pressure Measured in Water Column Inches)

				
DryerJack Model 466 0.001	DryerJack Model 486 0.02	Low Profile Plastic .35	Low Profile Metal .30	Four Inch Gooseneck .45